

# Technical data sheet



## Product features

### Display case heated 50x35

<b>Model</b>	<b>SAP Code</b>	00004949
--------------	-----------------	----------



- Device properties: Warmed
- Minimum device temperature [°C]: 30
- Maximum device temperature [°C]: 60
- Opening of device: Two-sided

<b>SAP Code</b>	00004949	<b>Power electric [kW]</b>	0.400
<b>Net Width [mm]</b>	504	<b>Loading</b>	230 V / 1N - 50 Hz
<b>Net Depth [mm]</b>	355	<b>Minimum device temperature [°C]</b>	30
<b>Net Height [mm]</b>	270	<b>Maximum device temperature [°C]</b>	60
<b>Net Weight [kg]</b>	9.00		

# Technical data sheet



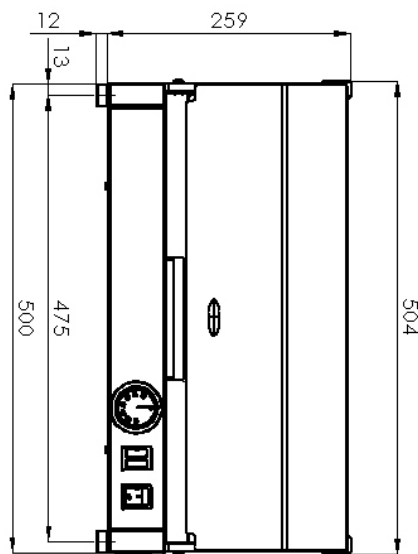
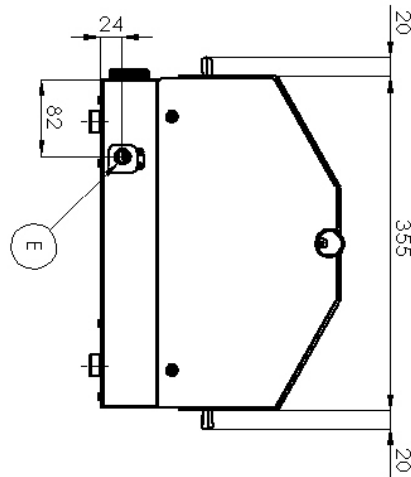
Technical drawing

Display case heated 50x35

Model

SAP Code

00004949



# Technical data sheet



## Technical parameters

### Display case heated 50x35

Model

SAP Code

00004949

**1. SAP Code:**

00004949

**2. Net Width [mm]:**

504

**3. Net Depth [mm]:**

355

**4. Net Height [mm]:**

270

**5. Net Weight [kg]:**

9.00

**6. Gross Width [mm]:**

400

**7. Gross depth [mm]:**

550

**8. Gross Height [mm]:**

300

**9. Gross Weight [kg]:**

10.00

**10. Device type:**

Electric unit

**11. Device properties:**

Warmed

**12. Power electric [kW]:**

0.400

**13. Loading:**

230 V / 1N - 50 Hz

**14. Minimum device temperature [°C]:**

30

**15. Maximum device temperature [°C]:**

60

**16. Opening of device:**

Two-sided

**17. Interior lighting:**

No

**18. Cross-section of conductors CU [mm<sup>2</sup>]:**

0,5

- Výkon (kW): 2,4-3,3 (230 V)